

# Secure Safe Trend I

for protection of cash and valuables

• £1,000 cash rating

*For some homeowners and small businesses, the requirement is for a quality cash safe within a limited budget. A solution which securely protects a wide range of valuables (e.g. jewellery, camera and passports). The most cost-efficient solution is the Secure Safe Trend I from SecureLine. Based on a steel construction, the safe offers £1000 cash rating, electronic LCD locking, removable shelf, fixing kit and a choice of six sizes. Combining so many quality features at a low price illustrates SecureLine's position as the only budget security brand to own. Many would agree...*

## Models

- The Secure Safe Trend I is available in six models, all designed to hold cash and valuables
- For storing binders we recommend model 44 in which the binders can be stored vertically



## Construction

- The Trend I range is constructed with an 8 mm solid steel door and 3 mm steel body. Increased security is achieved by hardened steel plates which protect lock, bolt-work and bolts against drilling
- The durable bolt-work has 2 or 4 bolts, which are chrome plated and have a diameter of 25 mm

## Locking

- The safes are available with a double bitted key lock or electronic PIN-code lock (6 digits) with a LCD-display
- Override key supplied with electronic version

## Additional features

- Fixing kit allows DIY securing of safe to floor and/or wall
- In addition the safes are supplied with a removable shelf as standard (except model 18)

## Design

- The Trend range has modern styling and will complement any user environment
- The safes are in two-tone colour powder coated finish; light grey and dark grey

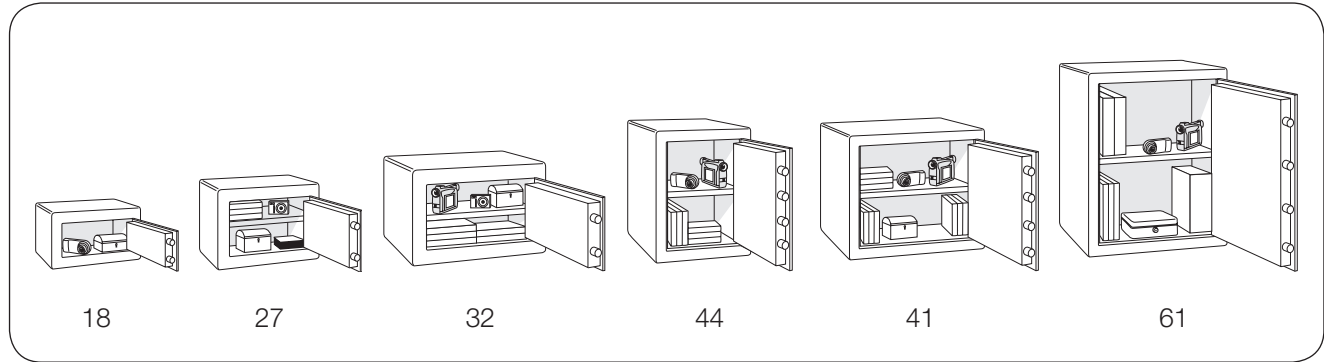


from **Chubb**safes



# Secure Safe Trend I

## Models



## Product data

### Key lock

Model	Article No.	External dimensions (mm)

### Electronic lock

Model	Article No.	External dimensions (mm)

SecureLine policy is one of constant improvement. The above specification may therefore be altered without prior notification.



from **Chubb**safes

Authorised dealer:



[www.SafeSecurityServices.co.uk](http://www.SafeSecurityServices.co.uk)

**0845 838 2448**