

Secure Safe Castelle

for protection of cash and valuables

- **Tested & Certified to £10,000 cash rating**

*For many homeowners and small businesses, the protection of cash and valuables is a major security requirement. Possible solutions would have to offer quality and value inducing features. One solution is the Secure Castelle. This new **lightweight** Grade I safe successfully blends together a wide range of key features. Examples includes certification to EN1143-1, EN1300 approved high security locking, removable shelf and a choice of five sizes. With so many advantages, the choice is all yours...*



Models

- The Secure Safe Castelle is available in five sizes and each size has the choice of key locking or user friendly electronic locking

Construction

- The walls of the Secure Safe Castelle contain a special barrier designed to resist the effects of drills, hammers, chisels and cutting equipment and have an overall thickness of 45mm
- The door is constructed from 10mm steel plate and has specially hardened anti-drill plates protecting the lock, bolts and the boltwork
- The door is secured by a three way moving bolt mechanism
- The door has three horizontal bolts and four vertical bolts, two operating upwards and two downwards
- The bolts are chrome plated and are 25mm in diameter

Locking

- The choice is either a double bitted key lock or a user-friendly electronic lock

Certification

- The Castelle is tested and certified to Grade I according to EN1143-1
- The safes are offered with EN 1300 certified locks

Additional features

- The safes can be anchored using the fixing kit supplied
- All sizes are supplied with a shelf as standard. Size 5 is supplied with two shelves

Design

- The Secure Safe Castelle range is finished in two tone powder finish with a light grey door and dark grey body

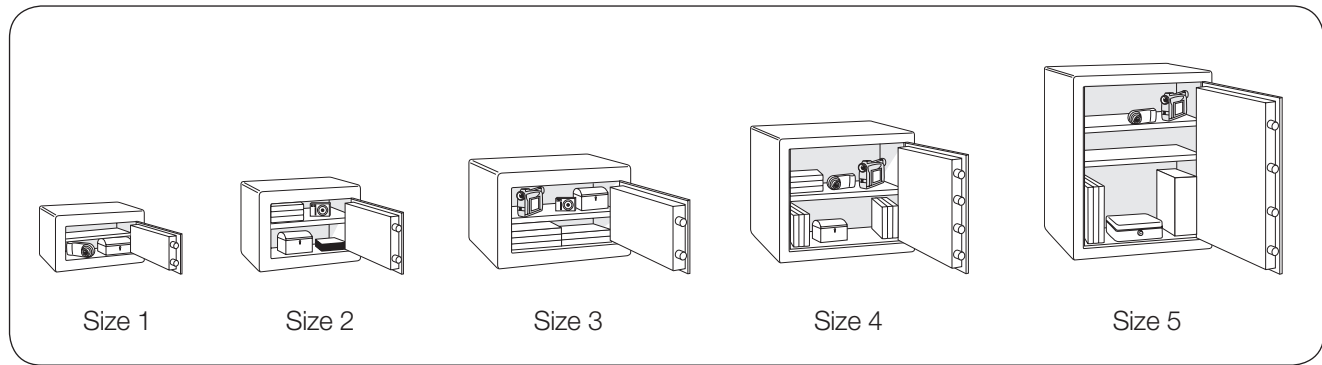


from **Chubb**safes



Secure Safe Castelle

Models



Product data

Key Lock

Model	Article No.	External dimensions (mm)			Internal dimensions (mm)			Volume (litres)	Weight (kg)	Locking	Shelf (qty)
		Height	Width	Depth	Height	Width	Depth				
SSC-1K	SL02710	280	370	350	190	280	250	13	44	Keylock	1
SSC-2K	SL02711	330	450	400	240	360	300	26	53	Keylock	1
SSC-3K	SL02712	450	450	400	360	360	300	39	66	Keylock	1
SSC-4K	SL02713	570	450	400	480	360	300	52	79	Keylock	1
SSC-5K	SL02714	690	450	400	600	360	300	65	92	Keylock	2

Electronic Lock

Model	Article No.	External dimensions (mm)			Internal dimensions (mm)			Volume (litres)	Weight (kg)	Locking	Shelf (qty)
		Height	Width	Depth	Height	Width	Depth				
SSC-1E	SL02810	280	370	350	190	280	250	13	44	Electronic	1
SSC-2E	SL02811	330	450	400	240	360	300	26	53	Electronic	1
SSC-3E	SL02812	450	450	400	360	360	300	39	66	Electronic	1
SSC-4E	SL02813	570	450	400	480	360	300	52	79	Electronic	1
SSC-5E	SL02814	690	450	400	600	360	300	65	92	Electronic	2

SecureLine policy is one of constant improvement. The above specification may therefore be altered without prior notification.



from **Chubb**safes

Authorised dealer:



www.SafeSecurityServices.co.uk

0845 838 2448